

DRAWING MADE IN THIRD ANGLE PROJECTION

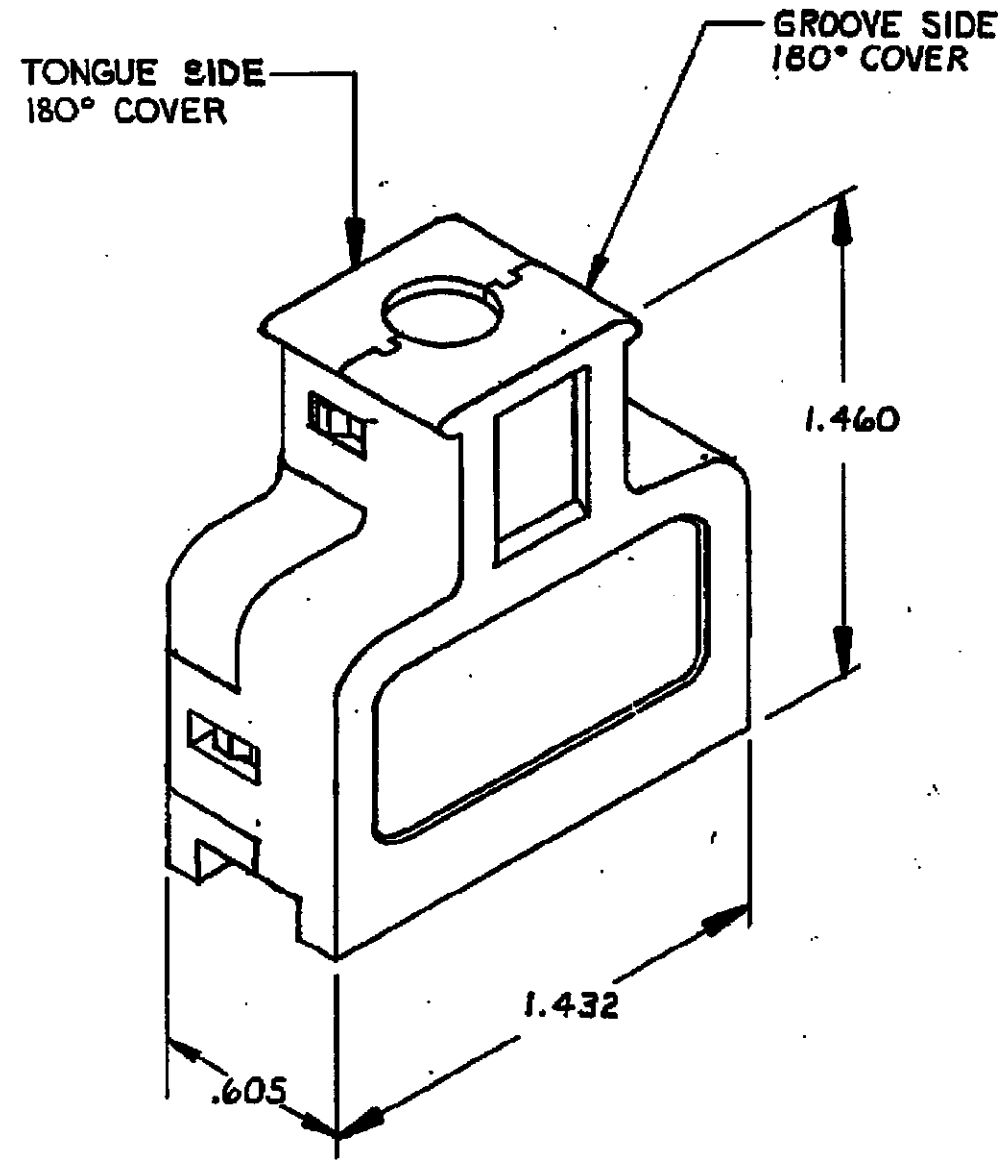
3

2

LOC AA DISF 20

THIS DRAWING IS UNPUBLISHED. RELEASED FOR PUBLICATION . 19  
 COPYRIGHT © BY AMP INCORPORATED, HARRISBURG, PA. ALL INTERNATIONAL RIGHTS RESERVED. AMP PRODUCTS MAY BE COVERED BY U.S. AND FOREIGN PATENTS AND/OR PATENTS PENDING.

REVISIONS						
P	F	ZONE	LTR	DESCRIPTION	DATE	APPROVED
			L	085:5/1; EC 0210-0921-95	4-97	05 MHT



1. ALL DIMENSIONS SHOWN ARE MAXIMUM UNLESS OTHERWISE SPECIFIED.
2. THIS KIT SHIPPED NOT ASSEMBLED.
3. PACKAGED ONE KIT PER POLY BAG.
4. 100 KITS BULK PACKED.

PACKAGED	CABLE RANGE DIAMETER	COLOR	GROOVE SIDE PART NO.	TONGUE SIDE PART NO.	KIT PART NO.
4	.320 - .380	BLACK	2- ↑ -1	2- ↑ -1	2- ↑ -1
	.280 - .320		1-552075-1	1-552074-1	1-552076-1
	.230 - .280		552075-1	552074-1	552076-1

UNLESS OTHERWISE SPECIFIED DIMENSIONS ARE IN INCHES. TOLERANCES ON: DECIMALS ± ANGLES ±	CONTRACT NO.	<b>AMP</b>   AMP INCORPORATED Harrisburg, Pa.			
	DR. <i>Phil Collins 5-9-83</i> CHK. <i>Stephen Dull 5-16-83</i>			NAME COVER KIT, 180°, 24 POSITION, CHAMP®	
	MATERIAL POLYPHENYLENE	APPD. <i>C. F. Moore 5/1/83</i> APPD. <i>W. S. Hartwick 5/26/83</i> DSGH APPD.	SIZE B	FSCM NO. 00779	DRAWING NO. 552076
	FINISH	OTHER APPD.	SCALE 2:1	SHEET 1 OF 1	